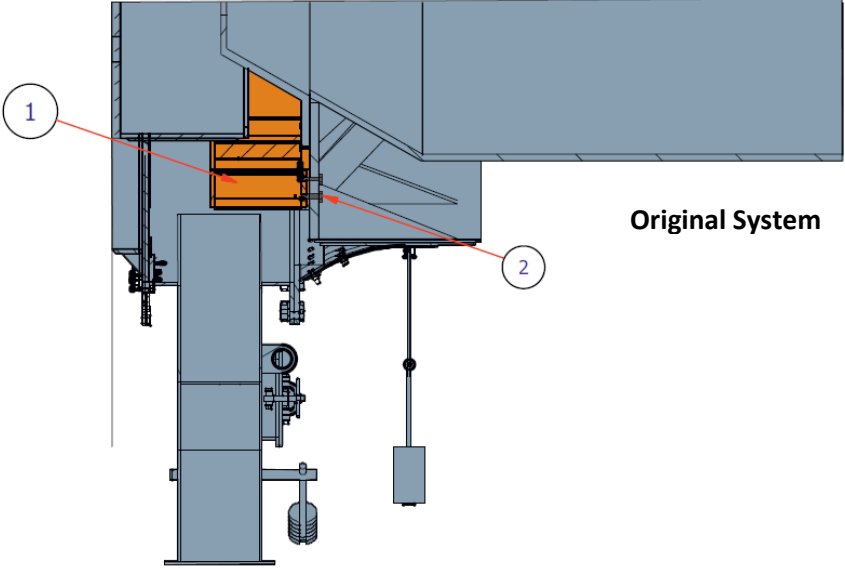
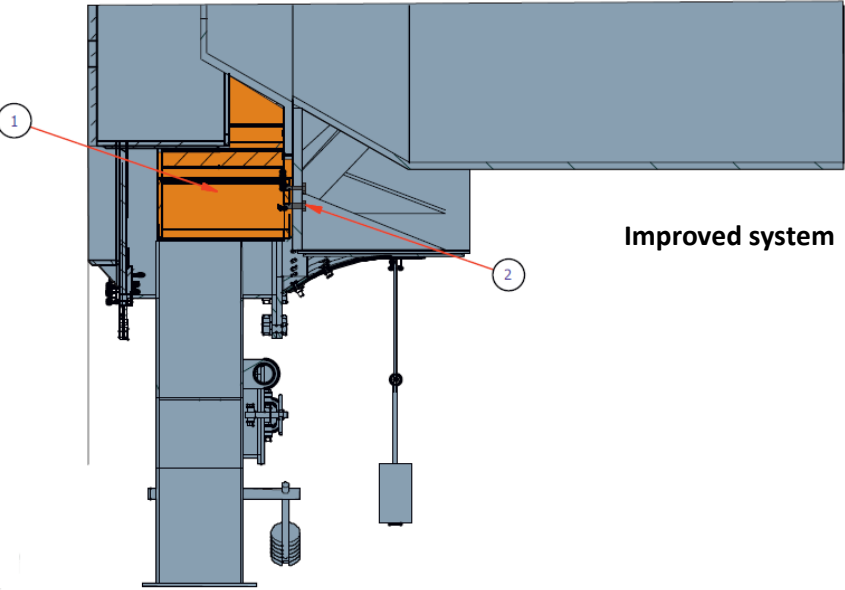


# Lifters

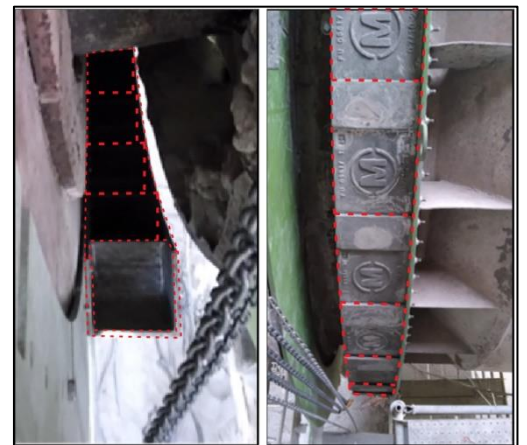
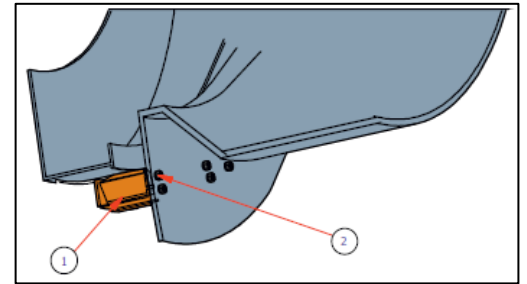
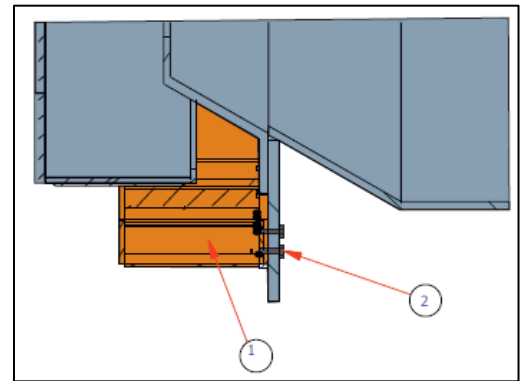
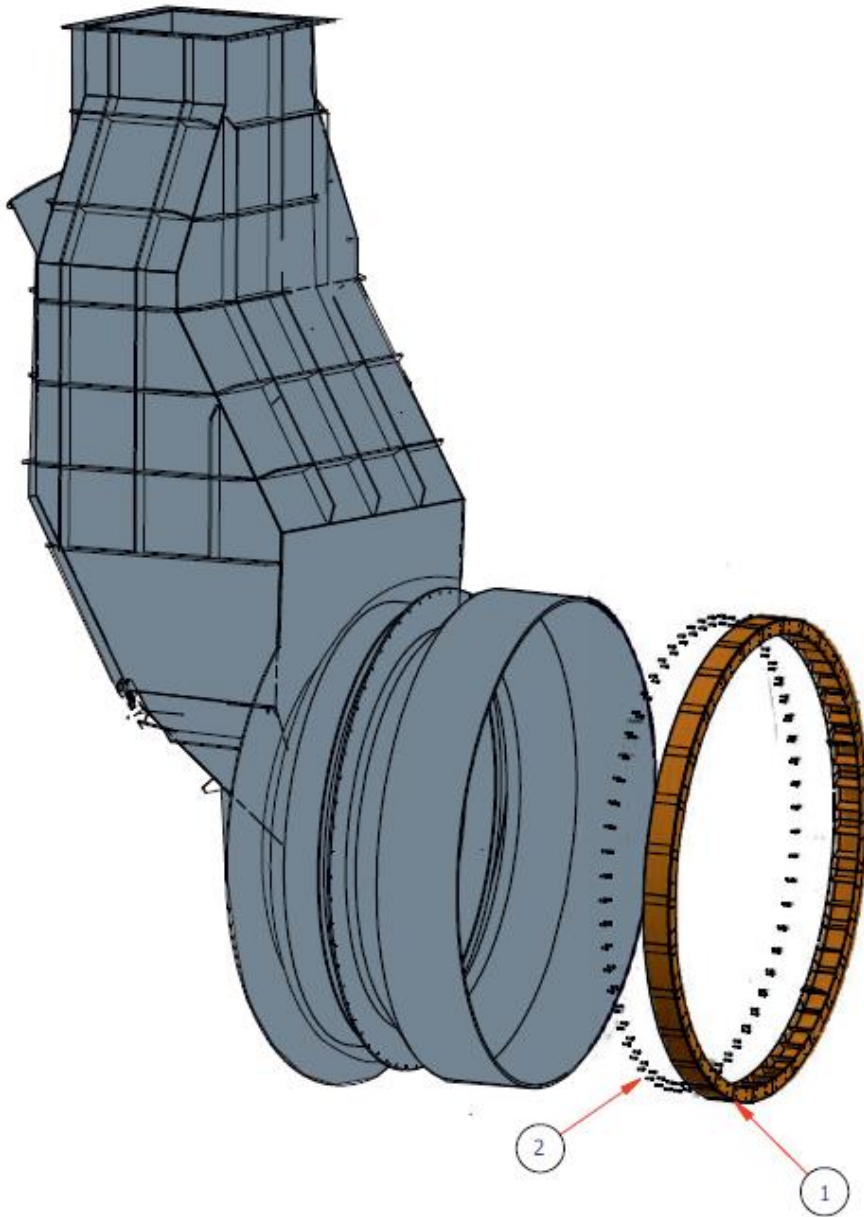
## Supplied by Motofrenos



The improvement involves extending the length and the diameter of the current lifter in order to recover and guide as much material as possible back into the process.



PIECE	DESCRIPTION
1	Lifters
2	Forged Bolt



**SEAL PLUS**  
Seals for rotary kilns  
[www.motofrenos.com](http://www.motofrenos.com)

PIECE	DESCRIPTION
1	Lifters
2	Forged Bolt