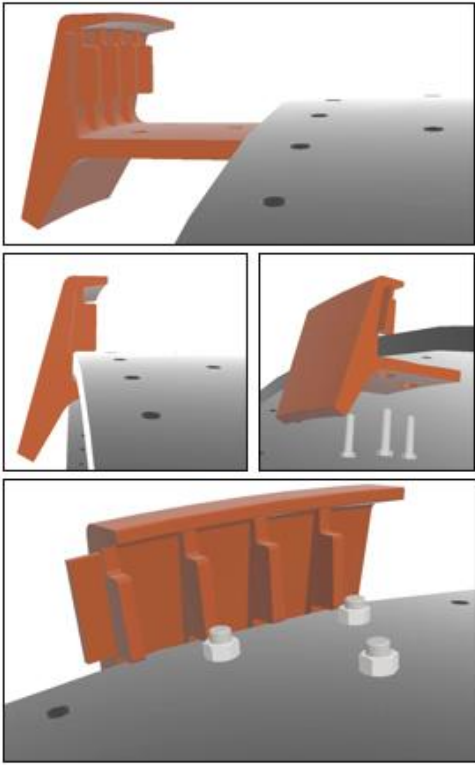
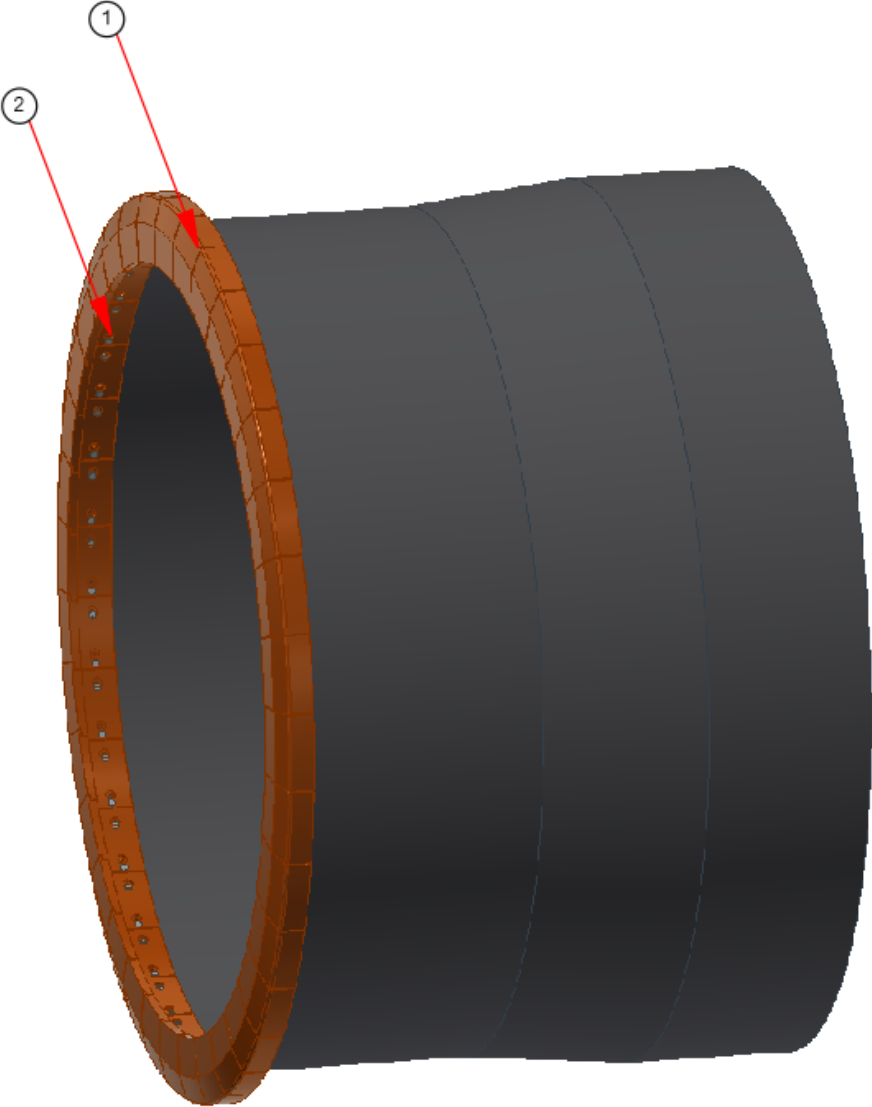


# Nose Ring

Supplied by Motofrenos



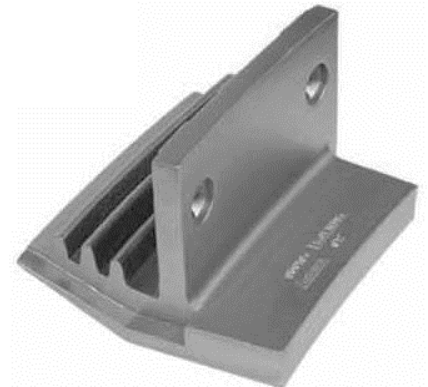
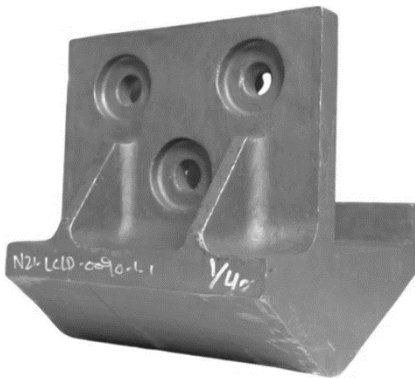
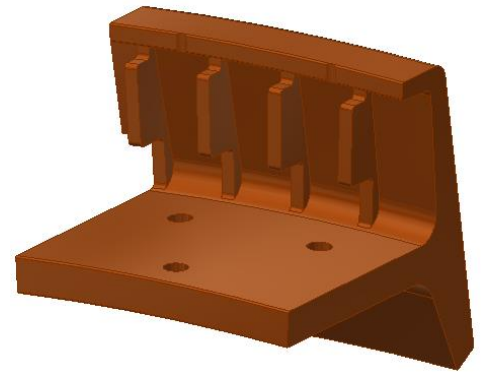
**SEAL PLUS**  
Seals for rotary kilns  
[www.motofrenos.com](http://www.motofrenos.com)

PIECE	DESCRIPTION
1	Nose Ring
2	Forged Bolt

Motofrenos - Seal Plus supplies Nose Ring in HK refractory cast iron under high quality standards, at a low cost and with highly competitive delivery time to your plant. We are aware of the demanding operation conditions of the plates in the outlet side of the kiln, which are subjected to high temperatures and abrasion when getting into contact with clinker.

#### Quality Compliance

- Dimensional Inspection
- Hardness
- Microstructural Analysis
- Chemical Analysis
- Mechanical Testing (Tensile, Impact)
- Nondestructive testing (DPT, MPT & UT)



**Today, with 200 seals installed in rotary kilns and dryers in 24 countries for 31 companies in the cement and mining industry, we remain committed to reducing false air in the process and contributing to preserve the environment**