

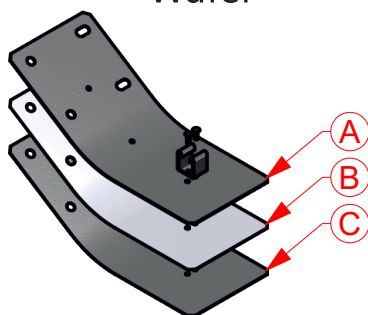
External leaf seal

SEAL PLUS
Seals for rotary kilns

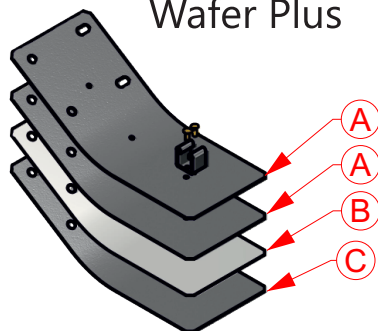
The external leaf seal **SEAL PLUS** with wafer type leafs has a flexible, heat resistant and abrasion layer generating a reliable and optimal operation of the seal.



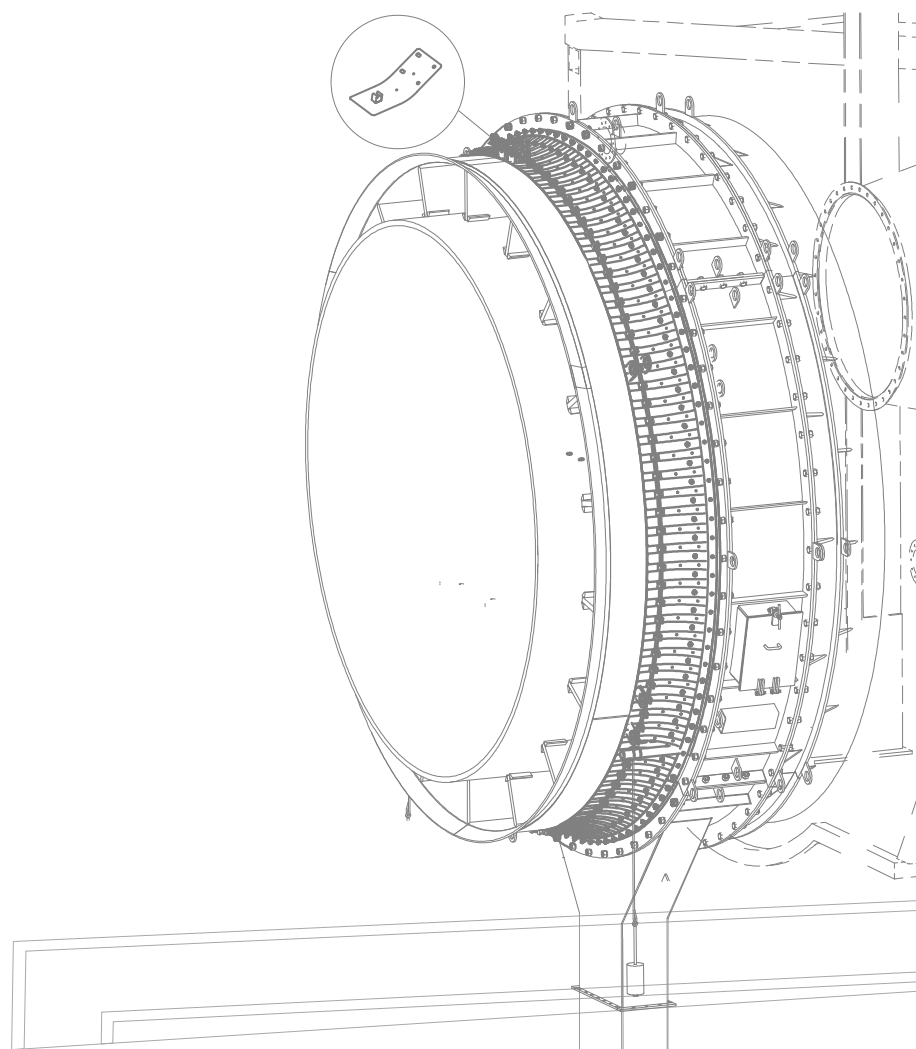
Wafer



Wafer Plus



- Ⓐ Spring steel
- Ⓑ Ceramic paper
- Ⓒ Thermal steel



BENEFITS AND FEATURES OF THE LEAFS

Spring steel: the mechanical features of the spring steel allows it to absorb the radial deformation of the kiln. Its hardness and mechanical strength guarantees an optimal performance of the leafs during a campaign in normal kiln operation.

Ceramic paper: the thermal insulator characteristics of the ceramic paper allows the leafs to dissipate the temperature coming from the thermal steel and protect the spring steel.

Thermal steel in contact with the riding band: this material has a low coefficient of friction. This property allows it to have a high pressure contact with the riding band without causing an premature wear of the leafs. The thermal steel also has a special chemical composition that resists high temperatures.

The wafer plus leaf has two layers of spring steel. As a result, it has a better mechanical resistance. It is mainly used in the lower section of the kiln, where the leafs have a better performance requirement due to material loss and the kiln inclination.

